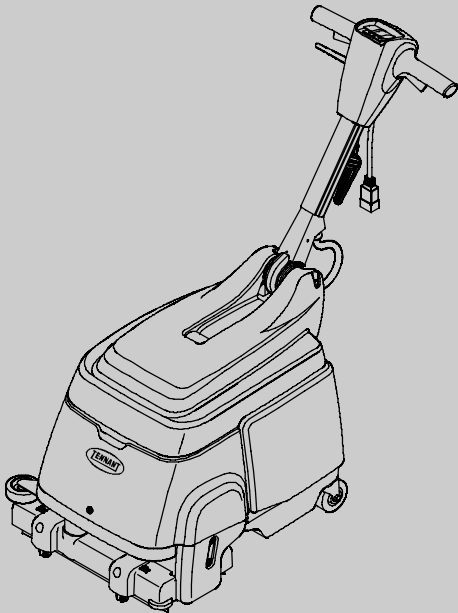
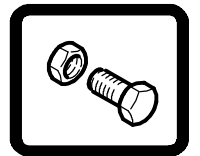


**FLOOREQUIPMENTPARTS.COM**

# T1

Floor Scrubber  
(S/N 10000000-20000000)

Parts Manual



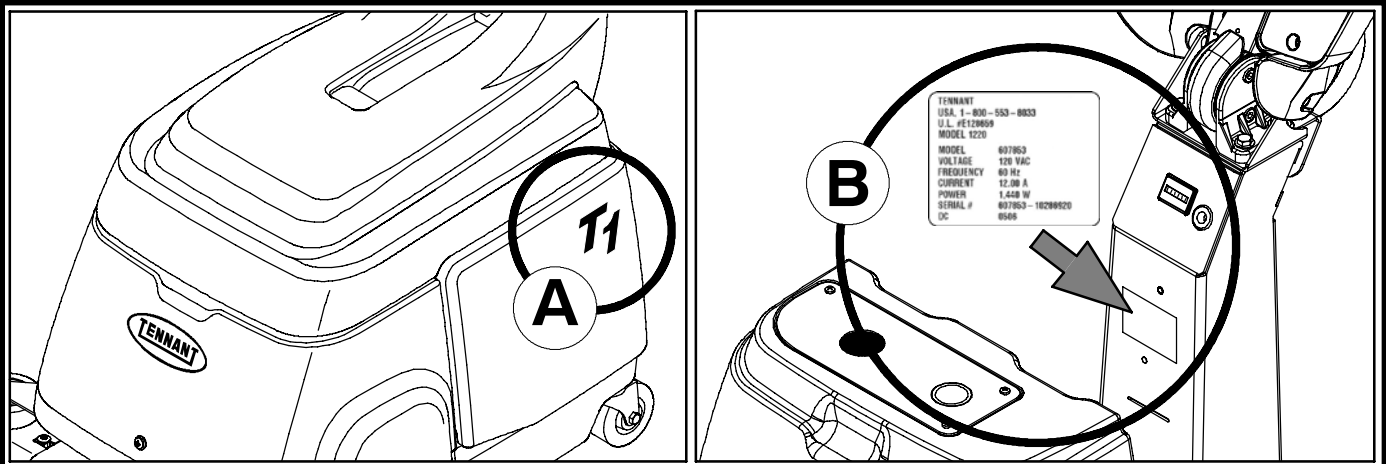
Models  
9004191-120V

North America / Japan

[www.tennantco.com](http://www.tennantco.com)

9006285  
Rev. 00 (03-2009)





Ref	Part No.	Serial Number	Description	Qty.
1	82681	(000000- )	Bracket Wldt, Lpg Mount	1
2	63810	(000000- )	Ch Assy, Lpg Tank Mtg, W/Nut	4
3	51839	(000000- )	at Adjustable, Lpg Tank Mtg	2
4	49263	(000000- )	Tie, Cable	3
	82556	(000000-001039)	Bracket, Vaporizer	1
	54930	(000000- )	Vaporizer, LPG	1

**HOW TO ORDER PARTS - See diagram above**

Only use TENNANT Company supplied or equivalent parts. Parts and supplies may be ordered online, by phone, by fax or by mail.

Follow the steps below to ensure prompt delivery.

1. (A) Identify the machine model.
2. (B) Identify the machine serial number from the data label.
3. (C) Ensure the proper serial number is used from the parts list.
4. Identify the part number and quantity.  
Do not order by page or reference numbers.
5. Provide your name, company name, customer ID number, billing and shipping address, phone number and purchase order number.
6. Provide detail shipping instructions.

- (D) ▽ - identifies an assembly  
 ▲ - identifies parts included in assembly  
 (E) ● - identifies a recommended stock item

**Please fill out at time of installation for future reference.**

Model No. - \_\_\_\_\_  
 Serial No. - \_\_\_\_\_  
 Machine Options - \_\_\_\_\_  
 Sales Rep. - \_\_\_\_\_  
 Sales Rep. phone no. - \_\_\_\_\_  
 Customer ID Number - \_\_\_\_\_  
 Installation Date - \_\_\_\_\_

**Tennant Company**

PO Box 1452  
 Minneapolis, MN 55440  
 Phone: (800) 553-8033 or (763) 513-2850

www.tennantco.com

Specifications and parts are subject to change without notice.

Copyright © 2009 TENNANT Company, Printed in U.S.A.

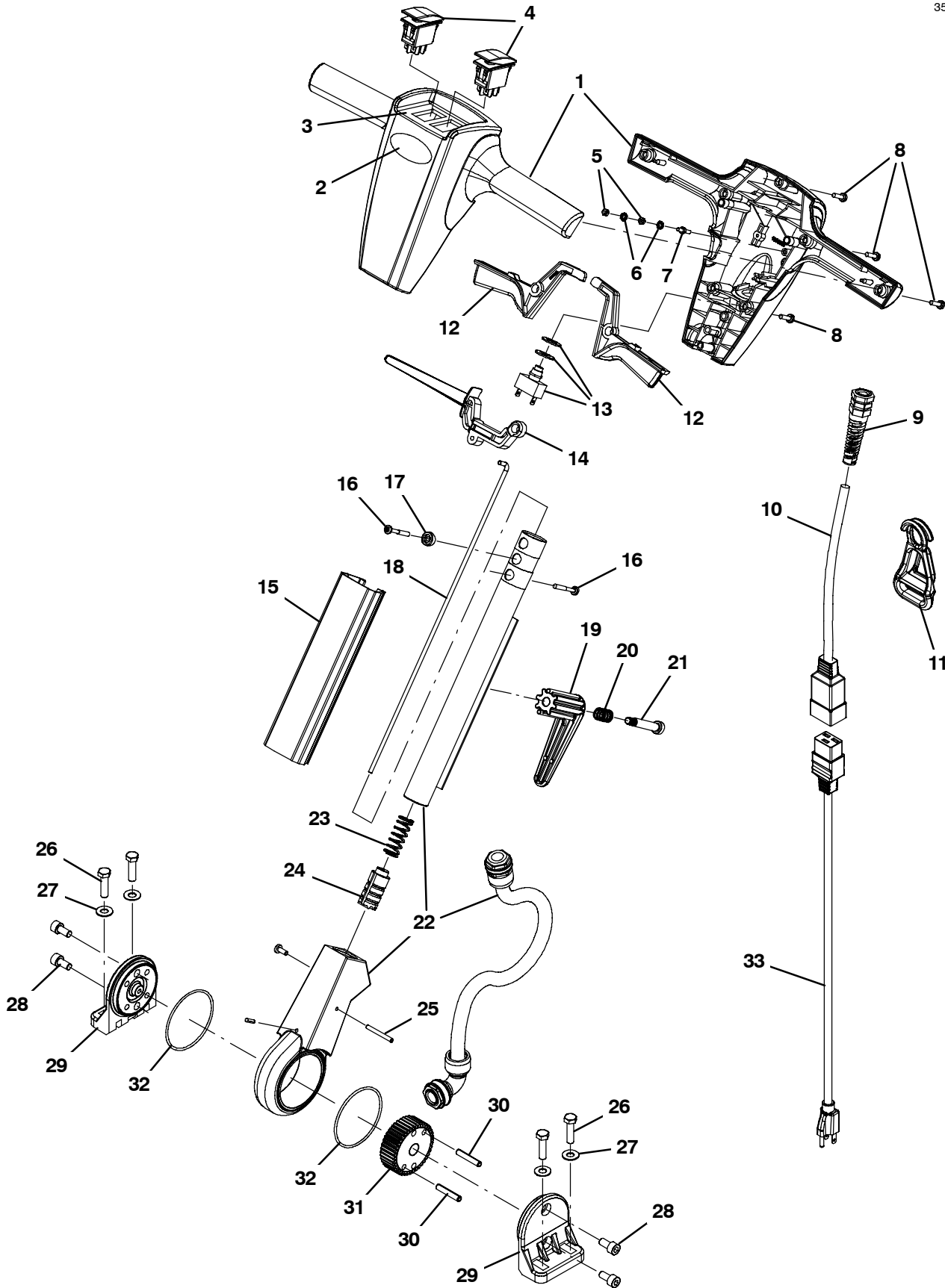
**TABLE OF CONTENTS**

---

HANDLE GROUP, 120V .....	4
HANDLE GROUP, 230V .....	6
FRAME GROUP, 120V .....	8
FRAME GROUP, 230V .....	10
TANKS AND SHROUD GROUP .....	12
TANK COVER GROUP .....	14
VACUUM FAN GROUP .....	16
SOLUTION GROUP .....	18
SCRUB HEAD GROUP, 120V .....	20
SCRUB HEAD GROUP, 230V .....	22
SCRUB HEAD LIFT GROUP .....	24
SQUEEGEE GROUP, FRONT .....	26
SQUEEGEE GROUP, REAR .....	28
ELECTRICAL DIAGRAM, 120V .....	30
ELECTRICAL DIAGRAM, 230V .....	31

HANDLE GROUP, 120V

355051



## HANDLE GROUP, 120V

Ref.	Part No.	Serial Number	Description	Qty.
▽	9005505	(10000000-20000000)	● Handle, Tennant T1[120 Volt]	1
▲▽	1 9004320	(10000000-20000000)	● Cover, Handle Front/Rear Tennant T1 Kit	1
▲▲	2 1042589	(10000000-20000000)	) Label, Logo, 02.50l, White [Tennant]	1
▲▲	3 1037324	(10000000-20000000)	) Label, Opertnl, Instrmt Panl, Scrubber	1
▲	4 602919	(10000000-20000000)	● Switch, Rocker, Dpdt, On / On	2
▲	5 42368	(10000000-20000000)	) Nut, Hex, Std, M4 X 0.70, 8	2
▲	6 140061	(10000000-20000000)	) Washer, Lock, Ext, 08, Pl	2
▲	7 1034952	(10000000-20000000)	) Screw, Hex, M4 X 0.7 X 12, Dbl Thrd	1
▲	8 1043573	(10000000-20000000)	) Screw, #10-14 X 0.675, Spl[Shcs,Selftap]	7
▲	9 130166	(10000000-20000000)	● Grip, Cord, Strainrelief Pg-11 W/Nut Bk	1
▲	10 1042410	(10000000-20000000)	● Cord, 14ga /3, 16.0l, W/ Receptacle, Yel	1
▲	11 1037147	(10000000-20000000)	● Clip, Cord, Strainrelief, Black	1
▲	12 1033893	(10000000-20000000)	● Lever, Cntrl, Switch [Trex]	2
▲	13 130712	(10000000-20000000)	● Switch, Push, Spst, No	1
▲	14 1034945	(10000000-20000000)	) Lever, Adjmt, Handle	1
▲	15 1034181	(10000000-20000000)	) Cover, Handle, Tennant [Trex]	1
▲	16 1043572	(10000000-20000000)	) Screw, #10-14 X 01.5, Spl[Shcs Selftap]	2
▲	17 1034176	(10000000-20000000)	) Bushing, Flng, 5mmb 12mmd 8mml, Pa6	1
▲	18 1034180	(10000000-20000000)	) Rod, Release [Trex]	1
▲	19 603104	(10000000-20000000)	● Hook, Cord, Blk [Quick-Release]	1
▲	20 603108	(10000000-20000000)	) Spring, Cmpr, Switch	1
▲	21 140239	(10000000-20000000)	) Bolt, Shld, .38d X 1.75, .31-18	1
▲	22 1045239	(10000000-20000000)	) Tube, Assy, Handle	1
▲	23 1013295	(10000000-20000000)	) Spring, Cmpr [2100 Series]	1
▲	24 9006059	(10000000-20000000)	) Plunger Kit, Handle	1
▲	25 1034924	(10000000-20000000)	) Pin, Roll, 04mmd X 40mml	1
▲	26 1016399	(10000000-20000000)	) Screw, Hex, M8 X 1.25 X 30, NI, Ss	4
▲	27 140027	(10000000-20000000)	) Washer, Flat, 0.35b 0.75d .04, Ss	4
▲	28 49609	(10000000-20000000)	) Screw, Soc, M8 X 1.25 X 16, 12.9	4
▲	29 1000307	(10000000-20000000)	) Handle, Pivot, Half	2
▲	30 1034155	(10000000-20000000)	) Pin, Roll, 06mmd X 36mml	2
▲	31 1034872	(10000000-20000000)	● Gear, Lock, Handle	1
▲	32 612422	(10000000-20000000)	● Seal, Org, Gear Seat	2
▲	33 1042403	(10000000-20000000)	● Cord, Power, 1.5mm /3 Yel[2x15m 50ft Us]	1

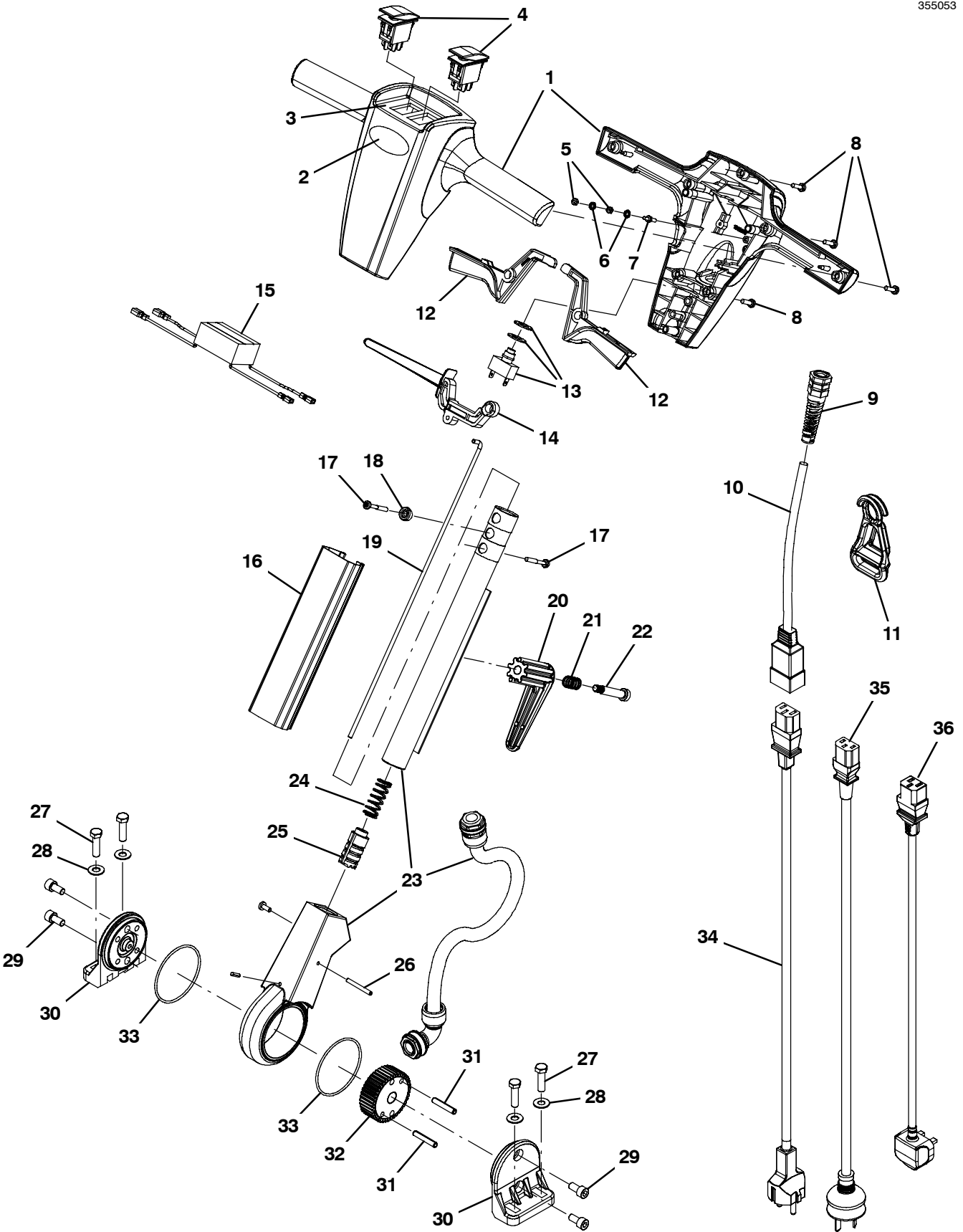
▽ ASSEMBLY

▲ INCLUDED IN ASSEMBLY

● RECOMMENDED STOCK ITEMS

HANDLE GROUP, 230V

355053



## HANDLE GROUP, 230V

Ref.	Part No.	Serial Number	Description	Qty.
▽	9005508	(10000000-20000000)	● Handle, Tennant T1[230 Volt]	1
▲▽	1 9004320	(10000000-20000000)	● Cover, Handle Front/Rear Tennant T1 Kit	1
▲▲	2 1042589	(10000000-20000000)	) Label, Logo, 02.50l, White [Tennant]	1
▲▲	3 1037324	(10000000-20000000)	) Label, Opertnl, Instrmt Panl, Scrubber	1
▲	4 602919	(10000000-20000000)	● Switch, Rocker, Dpdt, On / On	2
▲	5 42368	(10000000-20000000)	) Nut, Hex, Std, M4 X 0.70, 8	2
▲	6 140061	(10000000-20000000)	) Washer, Lock, Ext, 08, Pl	2
▲	7 1034952	(10000000-20000000)	) Screw, Hex, M4 X 0.7 X 12, Dbl Thrd	1
▲	8 1043573	(10000000-20000000)	) Screw, #10-14 X 0.675, Spl[Shcs,Selftap]	7
▲	9 130166	(10000000-20000000)	● Grip, Cord, Strainrelief Pg-11 W/Nut Bk	1
▲	10 1042410	(10000000-20000000)	● Cord, 14ga /3, 16.0l, W/ Receptacle, Yel	1
▲	11 1037147	(10000000-20000000)	● Clip, Cord, Strainrelief, Black	1
▲	12 1033893	(10000000-20000000)	● Lever, Cntrl, Switch [Trex]	2
▲	13 130712	(10000000-20000000)	● Switch, Push, Spst, No	1
▲	14 1034945	(10000000-20000000)	) Lever, Adjmt, Handle	1
▲	15 1039701	(10000000-20000000)	● Filter, Handle, 250 Vac, 50/60hz, 8amps	1
▲	16 1034181	(10000000-20000000)	) Cover, Handle, Tennant [Trex]	1
▲	17 1043572	(10000000-20000000)	) Screw, #10-14 X 01.5, Spl[Shcs Selftap]	2
▲	18 1034176	(10000000-20000000)	) Bushing, Flng, 5mmb 12mmd 8mml, Pa6	1
▲	19 1034180	(10000000-20000000)	) Rod, Release [Trex]	1
▲	20 603104	(10000000-20000000)	● Hook, Cord, Blk [Quick-Release]	1
▲	21 603108	(10000000-20000000)	) Spring, Cmpr, Switch	1
▲	22 140239	(10000000-20000000)	) Bolt, Shld, .38d X 1.75, .31-18	1
▲	23 1045239	(10000000-20000000)	● Tube, Assy, Handle	1
▲	24 1013295	(10000000-20000000)	) Spring, Cmpr [2100 Series]	1
▲	25 9006059	(10000000-20000000)	) Plunger Kit, Handle	1
▲	26 1034924	(10000000-20000000)	) Pin, Roll, 04mmd X 40mml	1
▲	27 1016399	(10000000-20000000)	) Screw, Hex, M8 X 1.25 X 30, NI, Ss	4
▲	28 140027	(10000000-20000000)	) Washer, Flat, 0.35b 0.75d .04, Ss	4
▲	29 49609	(10000000-20000000)	) Screw, Soc, M8 X 1.25 X 16, 12.9	4
▲	30 1000307	(10000000-20000000)	) Handle, Pivot, Half	2
▲	31 1034155	(10000000-20000000)	) Pin, Roll, 06mmd X 36mml	2
▲	32 1034872	(10000000-20000000)	● Gear, Lock, Handle	1
▲	33 612422	(10000000-20000000)	● Seal, Org, Gear Seat	2
▲	34 1035571	(10000000-20000000)	● Cord, Extn, 1.5mm /3 [2x20m, Ce]	1
	35 1036912	(10000000-20000000)	● Cord, Power, 1.5mm /3 Blk [2x15m, Aus]	1
	36 1036891	(10000000-20000000)	● Cord, Power, 1.5mm /3 Blk [2x20m,Uk]	1

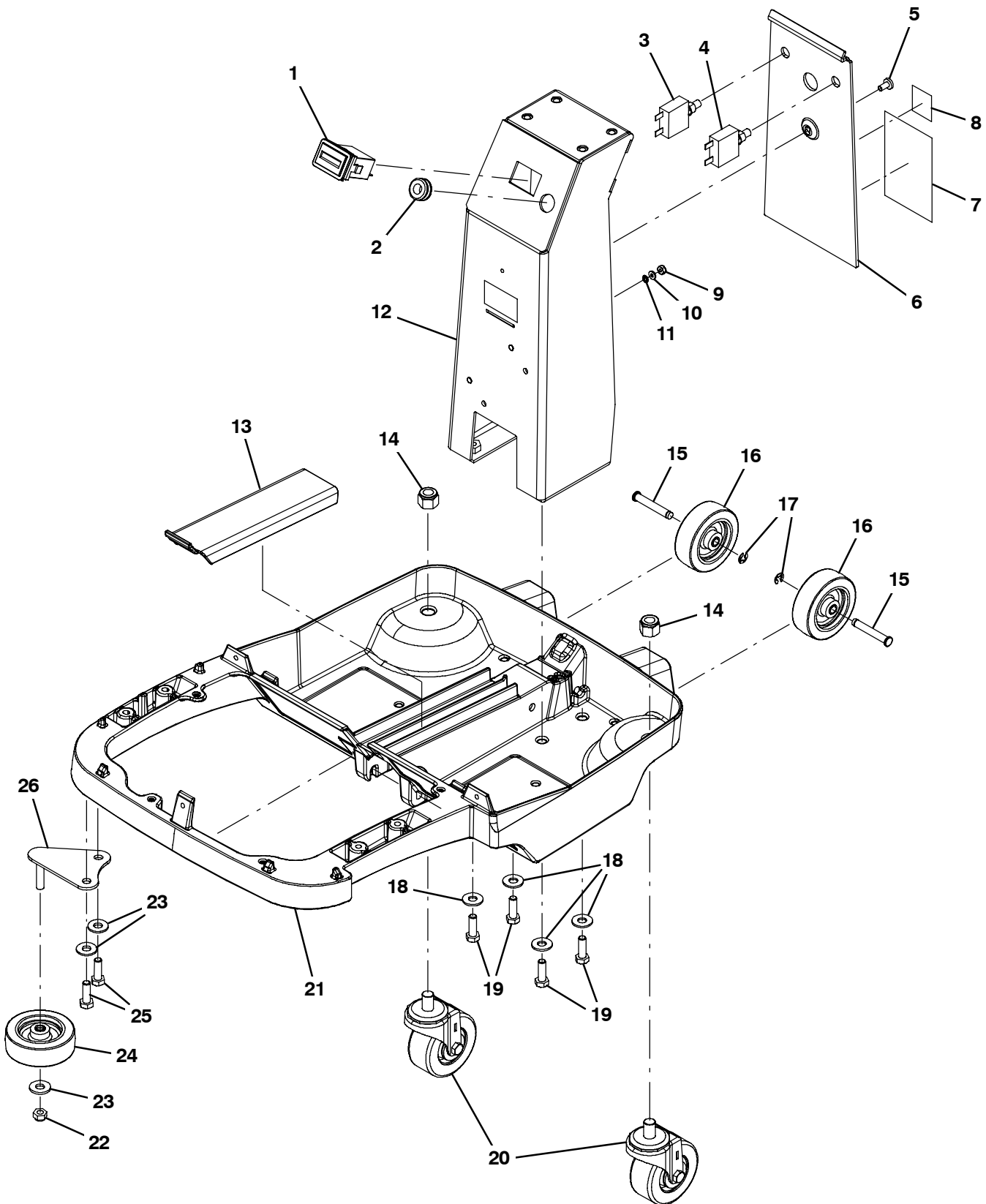
▽ ASSEMBLY

▲ INCLUDED IN ASSEMBLY

● RECOMMENDED STOCK ITEMS

FRAME GROUP, 120V

355056





FRAME GROUP, 120V

Ref.	Part No.	Serial Number	Description	Qty.	
1	1033904	(10000000-20000000)	● Meter, Hour, 120 Volt [T-Rex]	1	
2	86726	(10000000-20000000)	) Grommet, Rbr, 0.44id, F/0.5h, .19 Matl	1	
3	383720	(10000000-20000000)	● Circuitbreaker, 05.0a, Resetable	1	
4	383722	(10000000-20000000)	● Circuitbreaker, 15.0a, Resetable	1	
5	74027	(10000000-20000000)	) Screw, Pan, Phl, M6 X 1.00 X 12, NI, PI	1	
▽	6	9004277	(10000000-20000000)	) Cover Kit, Column, W/ Label [3gal 120v]	1
▲	7	1039105	(10000000-20000000)	) Label,Warning,Ac Scrb/Extr [En/Fr/Es/Jp]	1
▲	8	NA	(10000000-20000000)	) Label, Safety, 120vac [EtI]	1
9	1044427	(10000000-20000000)	) Nut, Hex, Lock, #8-32, NI, Ss	1	
10	41578	(10000000-20000000)	) Washer, Flat, 06, Ss	1	
11	02938	(10000000-20000000)	) Washer, Lock, Int, 08, Ss	1	
12	9004276	(10000000-20000000)	) Column Kit, Sppt, W/ Label [3 Gal]	1	
13	1030718	(10000000-20000000)	) Cover, Frame, Rear [Trex]	1	
14	02931	(10000000-20000000)	) Nut, Hex, Lock, .50-13, NI, Ss	2	
15	1035137	(10000000-20000000)	) Pin, Clevis, Grvd 0.31d X 2.00l, Ss	2	
16	1014918	(10000000-20000000)	● Wheel, 03.0d 0.88w 0.31b, W/ Bshg, Rbr	2	
17	1035139	(10000000-20000000)	) Ring, Retaining, Ext, 0.31d, E-Type	2	
18	01685	(10000000-20000000)	) Washer, Flat, 0.38b 0.88d .08, Ss	4	
19	1015852	(10000000-20000000)	) Screw, Hex, M8 X 1.25 X 25, NI, Fl, Ss	4	
20	601443	(10000000-20000000)	● Caster, Swivel, 3.0d 1.3w, .50-13 Stem	2	
21	1034013	(10000000-20000000)	) Frame (Machined)	1	
22	08713	(10000000-20000000)	) Nut, Hex, Lock, M8 X 1.25, NI, Ss	1	
23	01685	(10000000-20000000)	) Washer, Flat, 0.38b 0.88d .08, Ss	3	
24	1014918	(10000000-20000000)	● Wheel, 03.0d 0.88w 0.31b, W/ Bshg, Rbr	1	
25	49826	(10000000-20000000)	) Screw, Hex, M8 X 1.25 X 16, NI, Ss	2	
26	1034805	(10000000-20000000)	) Bracket, Bumper Wheel	1	
N/S	1033825	(10000000-20000000)	) Harness, Chassis, Ele, Scrb, [T-Rex]	1	

▽ ASSEMBLY

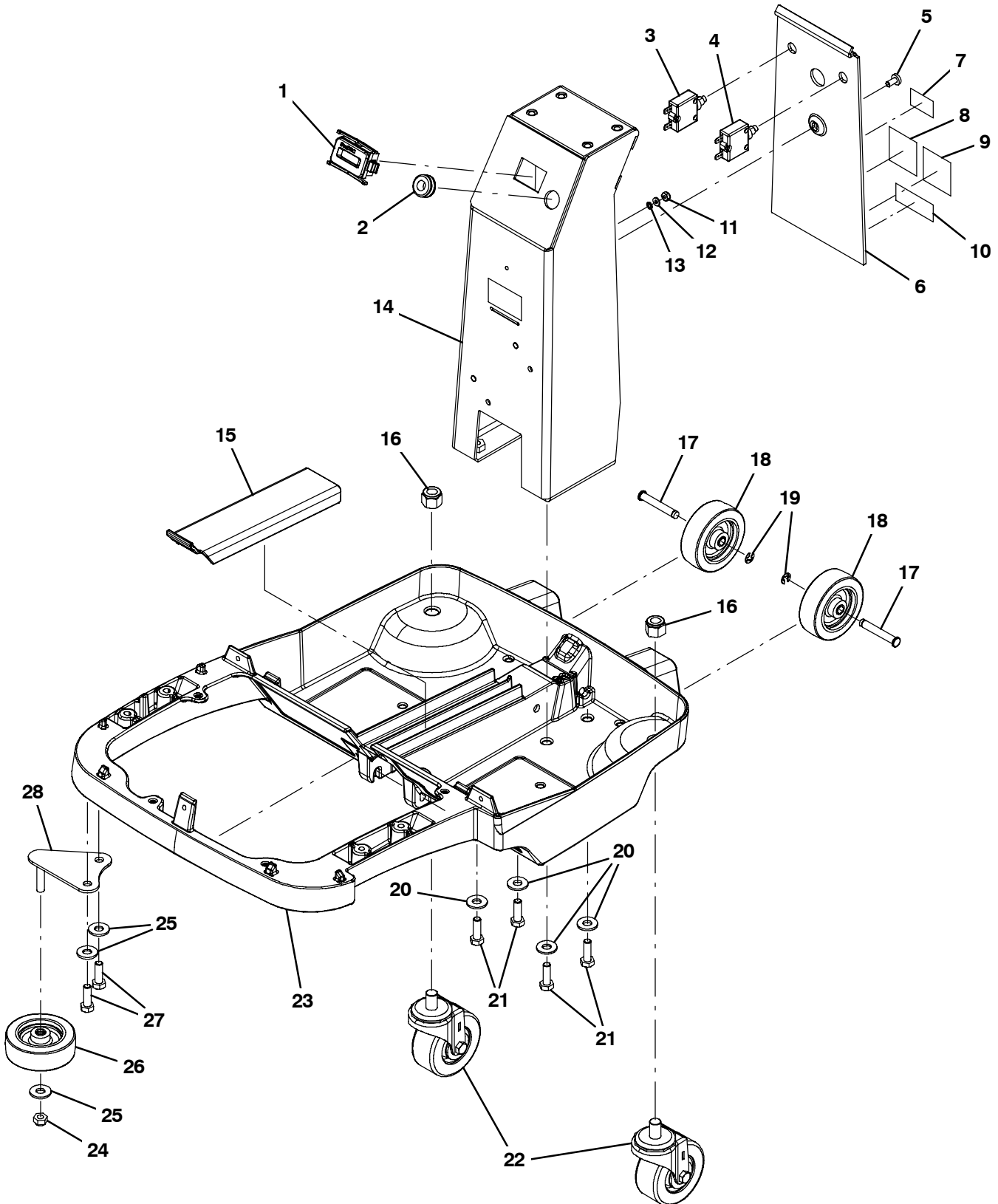
▲ INCLUDED IN ASSEMBLY

● RECOMMENDED STOCK ITEMS

N/S = NOT SHOWN

FRAME GROUP, 230V

355057



## FRAME GROUP, 230V

Ref.	Part No.	Serial Number	Description	Qty.	
1	1047383	(10000000-20000000)	● Gauge, Hourmeter, 24-277v Ac/Dc, Lcd	1	
2	86726	(10000000-20000000)	) Grommet, Rbr, 0.44id, F/0.5h, .19 Matl	1	
3	1037100	(10000000-20000000)	● Circuitbreaker, 2.5 Amp, 230 Volt	1	
4	1037086	(10000000-20000000)	● Circuitbreaker, 7.5 Amp, 230 Volt	1	
5	74027	(10000000-20000000)	) Screw, Pan, Phl, M6 X 1.00 X 12, NI, PI	1	
▽	6	9004295	(10000000-20000000)	) Column, Cover W/ Labels 3 Gal 230v Kit	1
▲	7	NA	(10000000-20000000)	) Label, Safety, 230Vac [Ce, C-Tic]	1
▲	8	1030494	(10000000-20000000)	) Label, Hzrd, Flammable Matl, Ce	1
▲	9	1028077	(10000000-20000000)	) Label [Read Manual, Iso]	1
▲	10	993852	(10000000-20000000)	) Label, Warning [Electrical Hazard]	1
	11	1044427	(10000000-20000000)	) Nut, Hex, Lock, #8-32, NI, Ss	1
	12	41578	(10000000-20000000)	) Washer, Flat, 06, Ss	1
	13	02938	(10000000-20000000)	) Washer, Lock, Int, 08, Ss	1
	14	9004276	(10000000-20000000)	) Column Kit, Sppt, W/ Label [3 Gal]	1
	15	1030718	(10000000-20000000)	) Cover, Frame, Rear [Trex]	1
	16	02931	(10000000-20000000)	) Nut, Hex, Lock, .50-13, NI, Ss	2
	17	1035137	(10000000-20000000)	) Pin, Clevis, Grvd 0.31d X 2.00l, Ss	2
	18	1014918	(10000000-20000000)	● Wheel, 03.0d 0.88w 0.31b, W/ Bshg, Rbr	2
	19	1035139	(10000000-20000000)	) Ring, Retaining, Ext, 0.31d, E-Type	2
	20	01685	(10000000-20000000)	) Washer, Flat, 0.38b 0.88d .08, Ss	4
	21	1015852	(10000000-20000000)	) Screw, Hex, M8 X 1.25 X 25, NI, Fl, Ss	4
	22	601443	(10000000-20000000)	● Caster, Swivel, 3.0d 1.3w, .50-13 Stem	2
	23	1034013	(10000000-20000000)	) Frame (Machined)	1
	24	08713	(10000000-20000000)	) Nut, Hex, Lock, M8 X 1.25, NI, Ss	1
	25	01685	(10000000-20000000)	) Washer, Flat, 0.38b 0.88d .08, Ss	3
	26	1014918	(10000000-20000000)	● Wheel, 03.0d 0.88w 0.31b, W/ Bshg, Rbr	1
	27	49826	(10000000-20000000)	) Screw, Hex, M8 X 1.25 X 16, NI, Ss	2
	28	1034805	(10000000-20000000)	) Bracket, Bumper Wheel	1
	N/S	1033825	(10000000-20000000)	) Harness, Chassis, Ele, Scrbr, [T-Rex]	1

▽ ASSEMBLY

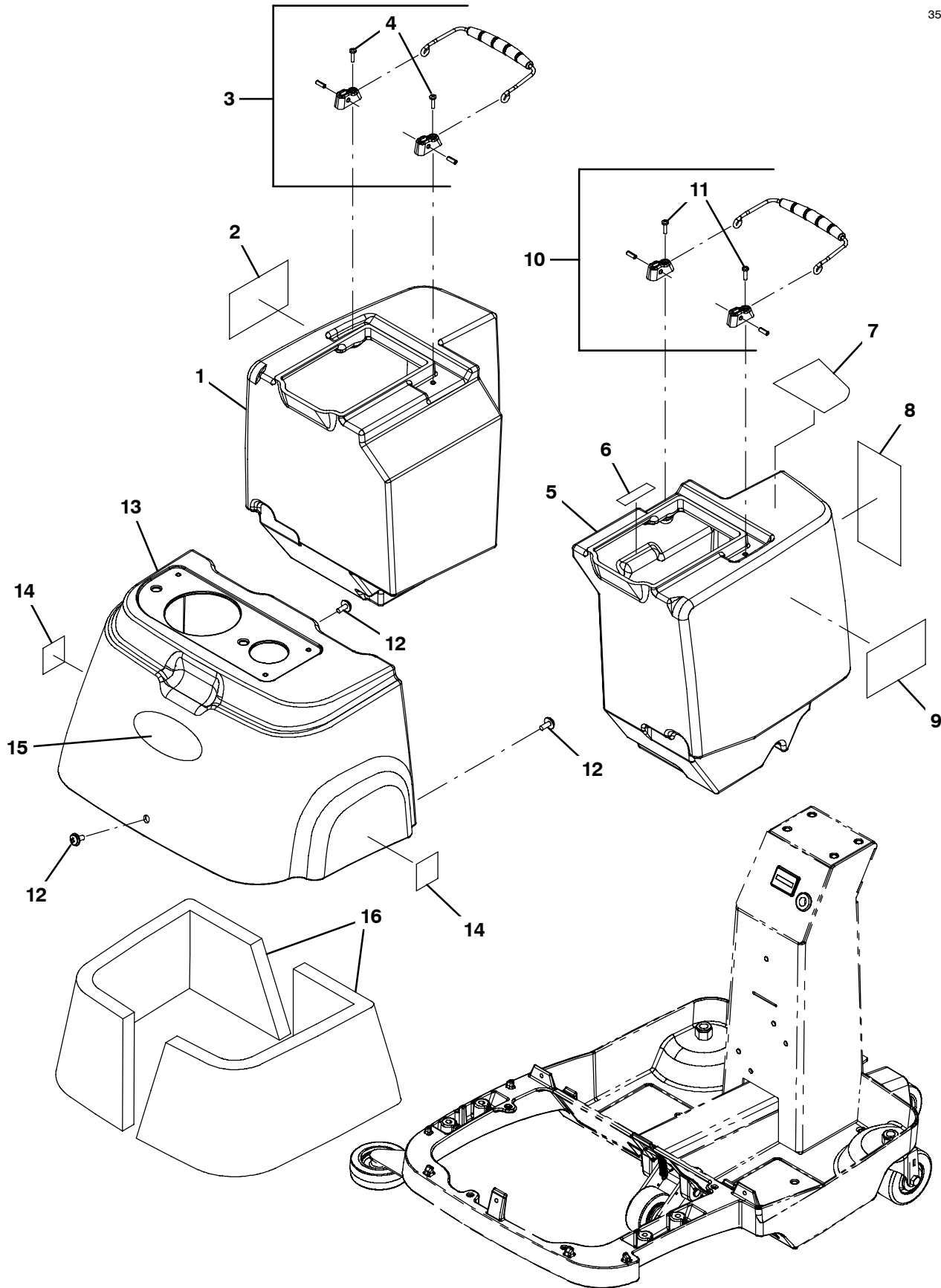
▲ INCLUDED IN ASSEMBLY

● RECOMMENDED STOCK ITEMS

N/S = NOT SHOWN

TANKS AND SHROUD GROUP

355062



## TANKS AND SHROUD GROUP

Ref.	Part No.	Serial Number	Description	Qty.
▽	1	9004312	(10000000-20000000 ) Tank, Rec W/ Labels Tennant 3 Gal Kit	1
▲	2	1039085	(10000000-20000000 ) Label, Side [T1 Scrubber]	1
▲▽	3	9004285	(10000000-20000000 )● Handle, Tank Kit	1
▲▲	4	24265	(10000000-20000000 ) Screw, Pan, Phl, M4 X 0.70 X 16, Ss	2
▽	5	9004314	(10000000-20000000 ) Tank, Sol W/ Labels Tennant 3 Gal Kit	1
▲	6	1044865	(10000000-20000000 ) Label, Solution, Tank, Max. Fill, 3 Gal.	1
▲	7	1039138	(10000000-20000000 ) Label, Tank, Soltn, 3.0gal	1
▲	8	1040112	(10000000-20000000 ) Label, Oper, Instr [Scrubber]	1
▲	9	1039085	(10000000-20000000 ) Label, Side [T1 Scrubber]	1
▲▽	10	9004285	(10000000-20000000 )● Handle, Tank Kit	1
▲▲	11	24265	(10000000-20000000 ) Screw, Pan, Phl, M4 X 0.70 X 16, Ss	2
	12	1019349	(10000000-20000000 ) Screw, Trs, M6 X 1.00 X 16, Ss, Sems	3
▽	13	9004301	(10000000-20000000 ) Shroud, W/ Labels Tennant 3 Gal Kit	1
▲	14	578769	(10000000-20000000 ) Decal, Moving Parts Textless	2
▲	15	1039084	(10000000-20000000 ) Label, Logo, White, Tennant, 5.5"Lg	1
	16	1040710	(10000000-20000000 ) Insulation, Acstc, 0.8, 19.2 X 04.1 Adh	2

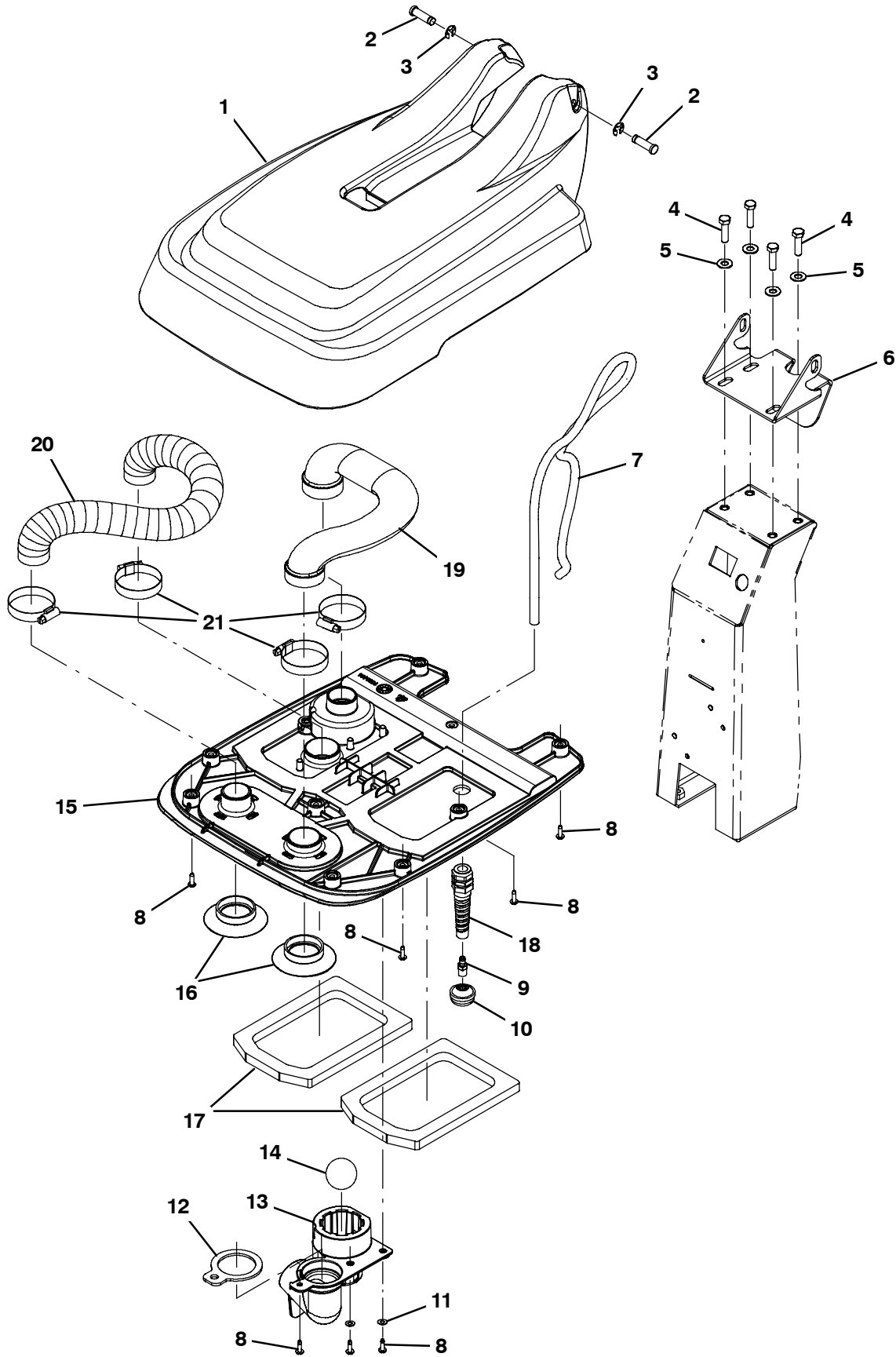
▽ ASSEMBLY

▲ INCLUDED IN ASSEMBLY

● RECOMMENDED STOCK ITEMS

TANK COVER GROUP

355055



## TANK COVER GROUP

Ref.	Part No.	Serial Number	Description	Qty.	
1	1031638	(10000000-20000000 )	Cover , Tank, Upper, Tennant [Trex]	1	
2	1035358	(10000000-20000000 )	Pin, Grvd, 0.375d, 1.25l	2	
3	24555	(10000000-20000000 )	Ring, Retaining, Ext, 0.38d, [E-Ring]	2	
4	1016399	(10000000-20000000 )	Screw, Hex, M8 X 1.25 X 30, NI, Ss	4	
5	140027	(10000000-20000000 )	Washer, Flat, 0.35b 0.75d .04, Ss	4	
6	1034346	(10000000-20000000 )	Bracket, Pivot, Cover, Mtg	1	
7	1036078	(10000000-20000000 )	Hose, Soltn, .25 Id, .453 Od, 39.25 L	1	
8	140340	(10000000-20000000 )	Screw, Pan, Phl, 10-24 X 0.62, Ss[Typ25]	13	
9	1042715	(10000000-20000000 )	Fitting, Brs, Str, Bm04/Pm02	1	
10	1032556	(10000000-20000000 )	● Filter, Soltn Tube, 80 Mesh	1	
11	140011	(10000000-20000000 )	Washer, Flat, 0.21b 0.45d .03, Ss	2	
12	1051274	(10000000-20000000 )	Gasket, Shield, Float	1	
13	1042277	(10000000-20000000 )	Shield, Float	1	
14	1044370	(10000000-20000000 )	● Ball, Float, W/O Cage	1	
▽	15	9005924	(10000000-20000000 )	Cover, Tank, Inner W/ Seals, Kit	1
▲	16	1036090	(10000000-20000000 )	● Seal, Vacuum [Trex]	2
▲	17	1034801	(10000000-20000000 )	● Gasket, Tank	2
▲	18	130167	(10000000-20000000 )	Strainrelief, Cord, Ele, Pm08, Blk Nyl	1
	19	1035866	(10000000-20000000 )	Hose, Recvy, Formed [Trex]	1
	20	1037756	(10000000-20000000 )	● Hose, Vacuum, 1.5od, 18.0l [Wire-Reinf]	1
	21	140308	(10000000-20000000 )	Clamp, Hose, Wormdrive, 1.31-2.25d, .50w	4

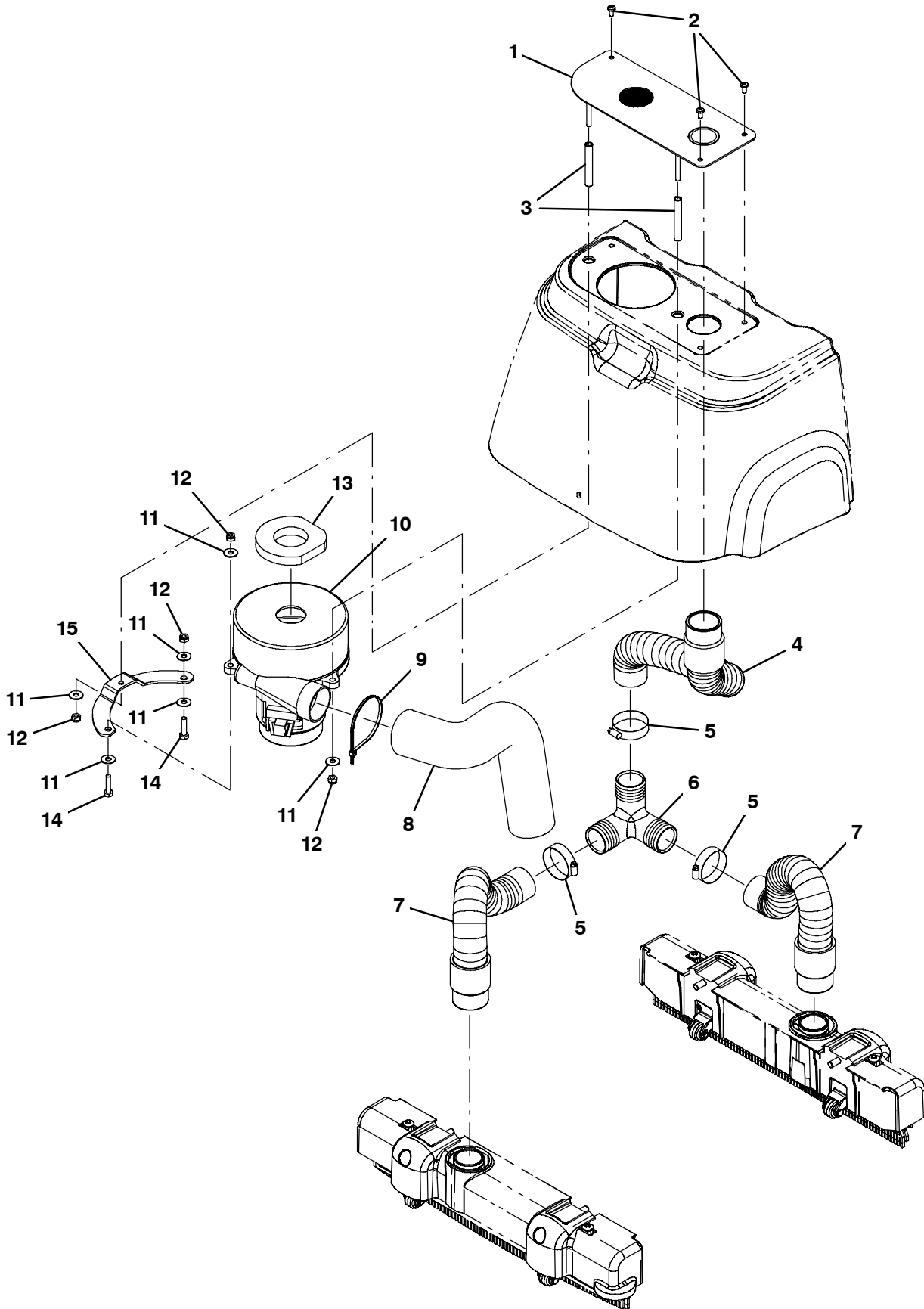
▽ ASSEMBLY

▲ INCLUDED IN ASSEMBLY

● RECOMMENDED STOCK ITEMS

VACUUM FAN GROUP

355061





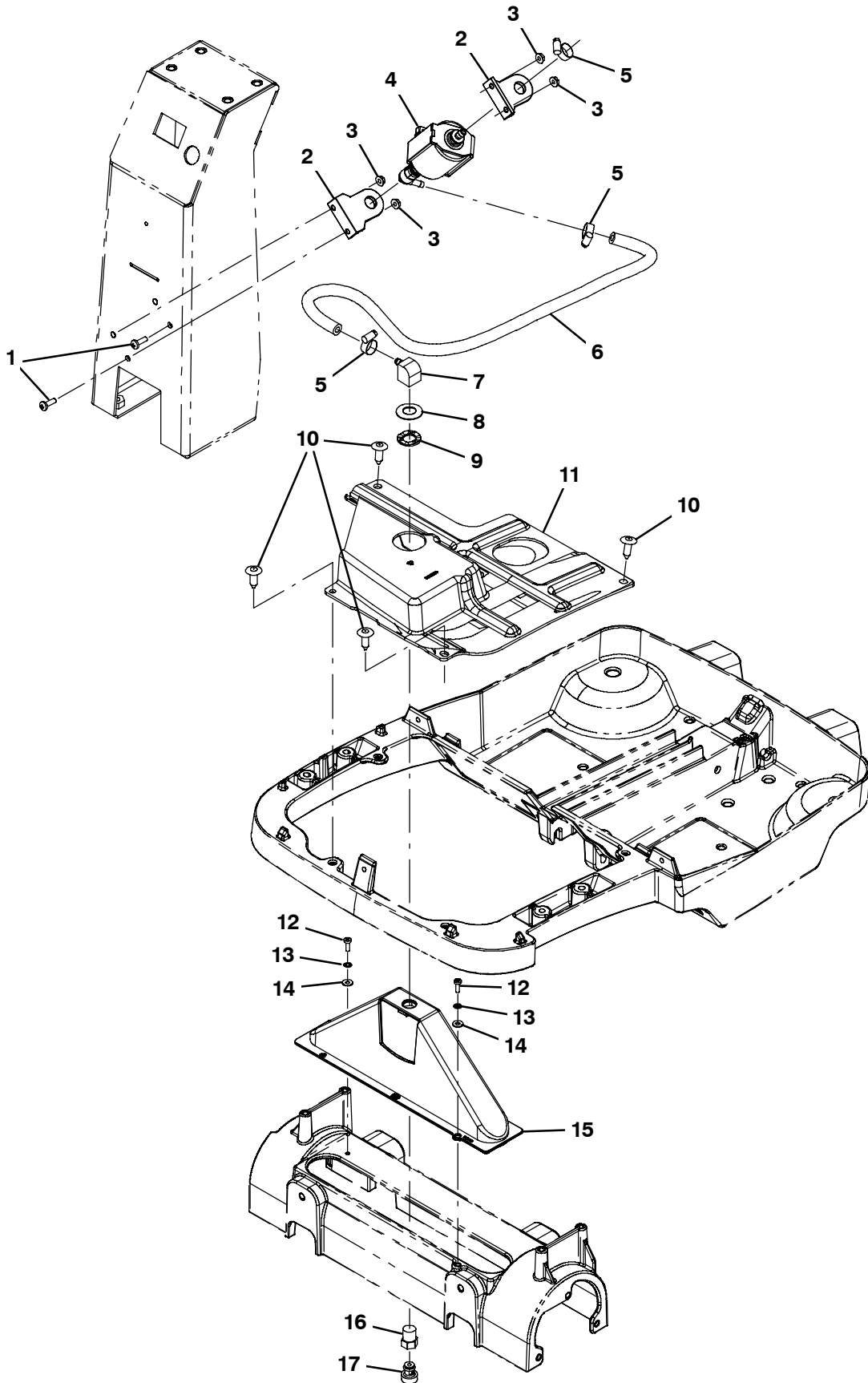
## VACUUM FAN GROUP

Ref.	Part No.	Serial Number	Description	Qty.
1	1031960	(10000000-20000000 )	Plate, Mtg, Vacuum	1
2	1026454	(10000000-20000000 )	Screw, Pan, Phl, M5 X 0.80 X 10, Ss	3
3	610144	(10000000-20000000 )	Spacer, Fan	2
4	1038394	(10000000-20000000 )	● Hose, Vacuum, 38.0id X 380.0l, 1cuff	1
5	79381	(10000000-20000000 )	Clamp, Hose, Wormdrive, 1.25-2.00d, .50w	3
6	1031965	(10000000-20000000 )	Fitting, Brb, Pvc, 1.5in 3 Way X 90	1
7	1038391	(10000000-20000000 )	● Hose, Vacuum, 38.0id X 330.0l, 1cuff	2
8	390677	(10000000-20000000 )	● Muffler, Exhaust, Vacfan, Long	1
9	130773	(10000000-20000000 )	Tie, Cable, Nyl, 11.0l, .14w, 3.0 Max. D	1
10	1037541	(10000000-20000000 )	● Fan, Vacuum, 5.7d, 120 Vac, 2 Stage	1
10	1038018	(10000000-20000000 )	● Fan, Vacuum, 5.7d, 240 Vac, 2 Stage	1
11	01684	(10000000-20000000 )	Washer, Flat, 0.27b 0.69d .05, Ss	6
12	08708	(10000000-20000000 )	Nut, Hex, Lock, M6 X 1.00, NI	4
13	630010	(10000000-20000000 )	● Gasket, 12.7mm Th, 43mmid 73mmmod	1
14	09007	(10000000-20000000 )	Screw, Hex, M6 X 1.00 X 25, Ss	2
15	1034069	(10000000-20000000 )	Plate, Vac Mounting	1

● RECOMMENDED STOCK ITEMS

SOLUTION GROUP

355060



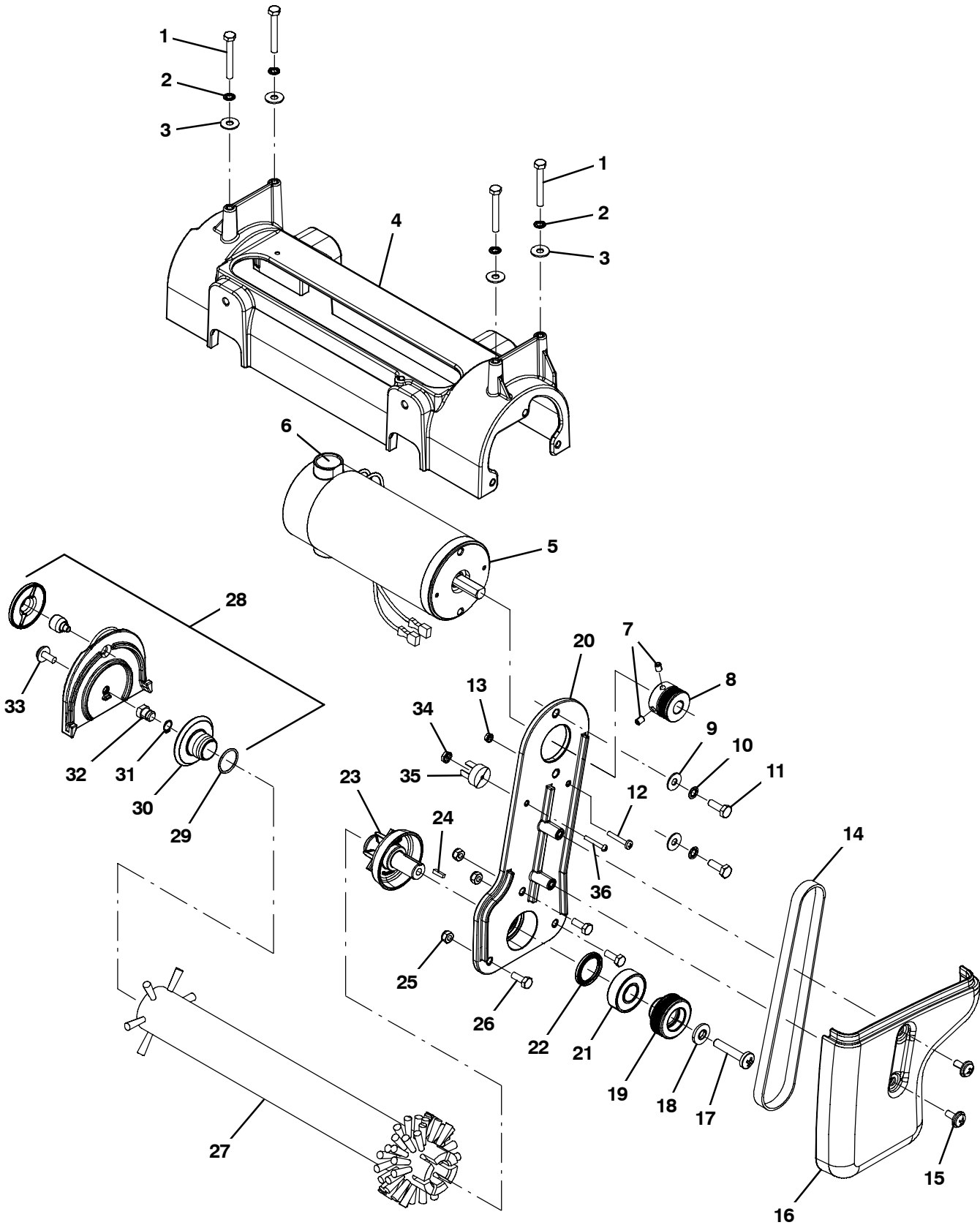
## SOLUTION GROUP

Ref.	Part No.	Serial Number	Description	Qty.
1	06933	(10000000-20000000 )	Screw, Pan, Phl, M5 X 0.80 X 16, 4.8	4
2	1036121	(10000000-20000000 )	Mount, Pump, Cp6	2
3	07789	(10000000-20000000 )	Nut, Hex, Flng, M5 X 0.80	4
4	1035850	(10000000-20000000 )	● Pump, Solution, Solenoid 120v	1
4	1035862	(10000000-20000000 )	Pump, Solution, Solenoid 230v [T-Rex]	1
5	43844	(10000000-20000000 )	Clamp, Hose, Wormdrive, 0.25-0.62d, .31w	3
6	613435	(10000000-20000000 )	Hose, Pvc, Brd, 0.25id 0.50od 25.9l, Gray (160204)	1
7	1028773	(10000000-20000000 )	Fitting, Brs, E90, Bm04/Pf04	1
8	1035296	(10000000-20000000 )	Washer, Flat, Belleville, .567	1
9	1042714	(10000000-20000000 )	Washer, Wavy, 0.59b 1.01d .02	1
10	140262	(10000000-20000000 )	Rivet, Plstc, .250d, Blk [Xmas Tree]	3
11	1037573	(10000000-20000000 )	Shield, Access [Trex]	1
12	579237	(10000000-20000000 )	Screw, Pan, Phl, M4 X 0.70 X 12, Ss	2
13	02938	(10000000-20000000 )	Washer, Lock, Int, 08, Ss	2
14	41579	(10000000-20000000 )	Washer, Flat, 08, Ss	2
15	1034395	(10000000-20000000 )	Shroud, Splash, Nozzle [Trex]	1
16	1034582	(10000000-20000000 )	Nozzle Adapter, Qppm	1
17	1033942	(10000000-20000000 )	● Nozzle [Qmvv 110-015]	1

● RECOMMENDED STOCK ITEMS

SCRUB HEAD GROUP, 120V

355058



## SCRUB HEAD GROUP, 120V

Ref.	Part No.	Serial Number	Description	Qty.
	1	1045325	(10000000-20000000 ) Screw, Hex, M6 X 1.00 X 45, Ss	4
	2	1027144	(10000000-20000000 ) Washer, Lock, Int, M6, Ss	4
	3	01684	(10000000-20000000 ) Washer, Flat, 0.27b 0.69d .05, Ss	4
	4	1034380	(10000000-20000000 ) Housing, Brush, Sngl, 40cm	1
▽	5	1034457	(10000000-20000000 )● Motor, .25hp, 115vdc, 2.5a, 2400 Rpm	1
▲	6	1045234	(10000000-20000000 )● Brush, Carbon (Pk=2) Ref Part 1034457	2
	7	09162	(10000000-20000000 ) Screw, Set, Soc, M6 X 1.00 X 8, NI	2
	8	1030620	(10000000-20000000 ) Sheave, 07grv, 32.78pd [Ph]	1
	9	01684	(10000000-20000000 ) Washer, Flat, 0.27b 0.69d .05, Ss	2
	10	07515	(10000000-20000000 ) Washer, Lock, Int, 0.25, Ss	2
	11	34323	(10000000-20000000 ) Screw, Hex, .25-20 X 0.75, NI	2
	12	1033197	(10000000-20000000 ) Screw, Pan, Phl, M4 X 0.70 X 25, Ss	1
	13	1007109	(10000000-20000000 ) Nut, Hex, Lock, M4 X 0.70, Kep, Ext	1
	14	9004283	(10000000-20000000 )● Belt Kit, W/ Installation Tool	1
	15	1019349	(10000000-20000000 ) Screw, Trs, M6 X 1.00 X 16, Ss, Sems	2
	16	1031168	(10000000-20000000 ) Cover, Belt, BI-Gr (Single Roller)	1
	17	603154	(10000000-20000000 ) Screw, Pan, M8 X 1.25 X 40, Ss	1
	18	41186	(10000000-20000000 ) Washer, Flat, Belleville, .31	1
	19	1030614	(10000000-20000000 ) Sheave, 07grv, 42.3pd [Ph]	1
▽	20	9004281	(10000000-20000000 ) Bracket, Motor Mount W/ Bearing/Seal Kit	1
▲	21	140123	(10000000-20000000 ) Bearing, Ball [1 Pc=1bearing]	1
▲	22	578138000	(10000000-20000000 ) Seal, Oil, Brg, .94id 1.31od	1
▲	23	1028662	(10000000-20000000 ) Hub, Drive, Brush	1
	24	578416	(10000000-20000000 ) Key, Sq, 0.13 X 0.13, 0.50l	1
	25	08712	(10000000-20000000 ) Nut, Hex, Lock, M6 X 1.00, NI, Ss	3
	26	15678	(10000000-20000000 ) Screw, Hex, M6 X 1.00 X 16, Ss	3
	27	1037197	(10000000-20000000 )● Brush, Scrub, 89mm Od X 386mm, Nylon (Standard)	1
	27	1037277	(10000000-20000000 )● Brush, Scrub, 89mm Od X 386mm, Poly (Optional)	1
	27	1037278	(10000000-20000000 )● Brush, Scrub, 89mm Od X 386mm, Grit (Optional)	1
▽	28	9004279	(10000000-20000000 ) Door Kit, Brush, W/ Hdwr	1
▲	29	1042312	(10000000-20000000 ) Seal, Org, .070 X .875 Id, 020	1
▲	30	1030680	(10000000-20000000 ) Hub, Idler, Brush	1
▲	31	01543	(10000000-20000000 ) Ring, Retaining, Ext, 0.39d, Basic	1
▲	32	1030682	(10000000-20000000 ) Shaft, Idler Plug	1
▲	33	1019349	(10000000-20000000 ) Screw, Trs, M6 X 1.00 X 16, Ss, Sems	1
	34	140534	(10000000-20000000 ) Nut, Hex, #06-32, Nyl	1
	35	130288	(10000000-20000000 )● Rectifier, Bridge, Rnd, 12a 1000volt, Ce	1
	36	140946	(10000000-20000000 ) Screw, Rnd, Slt, 06-32 X 1.00, Nyl	1

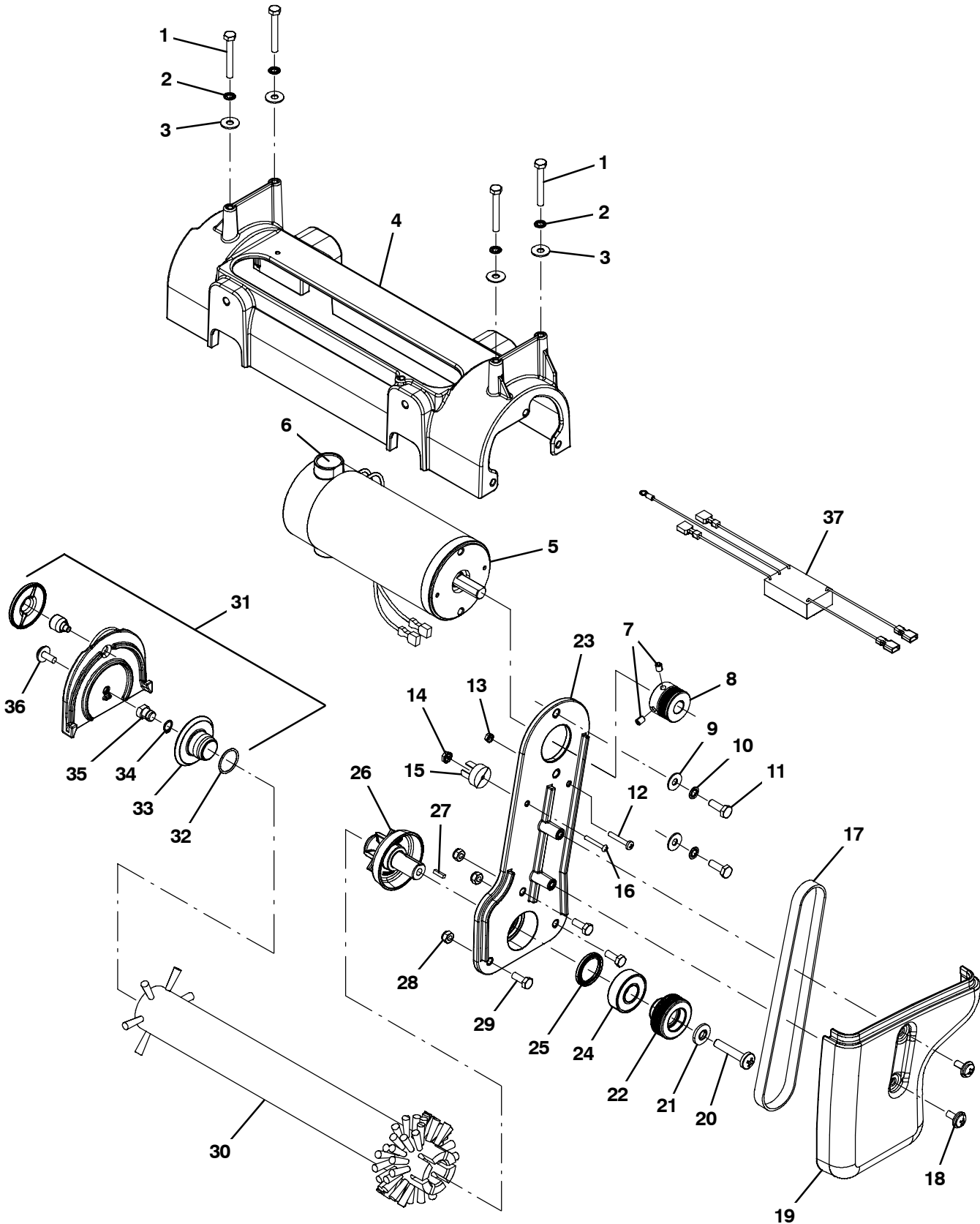
▽ ASSEMBLY

▲ INCLUDED IN ASSEMBLY

● RECOMMENDED STOCK ITEMS

SCRUB HEAD GROUP, 230V

355059



## SCRUB HEAD GROUP, 230V

Ref.	Part No.	Serial Number	Description	Qty.
1	1045325	(10000000-20000000)	Screw, Hex, M6 X 1.00 X 45, Ss	4
2	1027144	(10000000-20000000)	Washer, Lock, Int, M6, Ss	4
3	01684	(10000000-20000000)	Washer, Flat, 0.27b 0.69d .05, Ss	4
4	1034380	(10000000-20000000)	Housing, Brush, Sngl, 40cm	1
▽	5	1036630	● Motor, .25hp, 230vdc, 1.3 A, 2400 Rpm	1
▲	6	1045464	● Brush, Carbon (Pk=2) Ref Part 1036630	2
	7	09162	(10000000-20000000) ) Screw, Set, Soc, M6 X 1.00 X 8, NI	2
	8	1030620	(10000000-20000000) ) Sheave, 07grv, 32.78pd [Ph]	1
	9	01684	(10000000-20000000) ) Washer, Flat, 0.27b 0.69d .05, Ss	2
	10	07515	(10000000-20000000) ) Washer, Lock, Int, 0.25, Ss	2
	11	34323	(10000000-20000000) ) Screw, Hex, .25-20 X 0.75, NI	2
	12	1033197	(10000000-20000000) ) Screw, Pan, Phl, M4 X 0.70 X 25, Ss	1
	13	1007109	(10000000-20000000) ) Nut, Hex, Lock, M4 X 0.70, Kep, Ext	1
	14	140534	(10000000-20000000) ) Nut, Hex, #06-32, Nyl	1
	15	130288	(10000000-20000000) ) ● Rectifier, Bridge, Rnd, 12a 1000volt, Ce	1
	16	140946	(10000000-20000000) ) Screw, Rnd, Slt, 06-32 X 1.00, Nyl	1
	17	9004283	(10000000-20000000) ) ● Belt Kit, W/ Installation Tool	1
	18	1019349	(10000000-20000000) ) Screw, Trs, M6 X 1.00 X 16, Ss, Sems	2
	19	1031168	(10000000-20000000) ) Cover, Belt, Bl-Gr (Single Roller)	1
	20	603154	(10000000-20000000) ) Screw, Pan, M8 X 1.25 X 40, Ss	1
	21	41186	(10000000-20000000) ) Washer, Flat, Belleville, .31	1
	22	1030614	(10000000-20000000) ) Sheave, 07grv, 42.3pd [Ph]	1
▽	23	9004281	(10000000-20000000) ) Bracket, Motor Mount W/ Bearing/Seal Kit	1
▲	24	140123	(10000000-20000000) ) Bearing, Ball [1 Pc=1bearing]	1
▲	25	578138000	(10000000-20000000) ) Seal, Oil, Brg, .94id 1.31od	1
▲	26	1028662	(10000000-20000000) ) Hub, Drive, Brush	1
	27	578416	(10000000-20000000) ) Key, Sq, 0.13 X 0.13, 0.50l	1
	28	08712	(10000000-20000000) ) Nut, Hex, Lock, M6 X 1.00, NI, Ss	3
	29	15678	(10000000-20000000) ) Screw, Hex, M6 X 1.00 X 16, Ss	3
	30	1037197	(10000000-20000000) ) ● Brush, Scrub, 89mm Od X 386mm, Nylon (Standard)	1
	30	1037277	(10000000-20000000) ) ● Brush, Scrub, 89mm Od X 386mm, Poly (Optional)	1
	30	1037278	(10000000-20000000) ) ● Brush, Scrub, 89mm Od X 386mm, Grit (Optional)	1
▽	31	9004279	(10000000-20000000) ) Door Kit, Brush, W/ Hdwr	1
▲	32	1042312	(10000000-20000000) ) Seal, Org, .070 X .875 Id, 020	1
▲	33	1030680	(10000000-20000000) ) Hub, Idler, Brush	1
▲	34	01543	(10000000-20000000) ) Ring, Retaining, Ext, 0.39d, Basic	1
▲	35	1030682	(10000000-20000000) ) Shaft, Idler Plug	1
▲	36	1019349	(10000000-20000000) ) Screw, Trs, M6 X 1.00 X 16, Ss, Sems	1
	37	1036953	(10000000-20000000) ) Filter, Brush, 270 Vdc, 3a	1

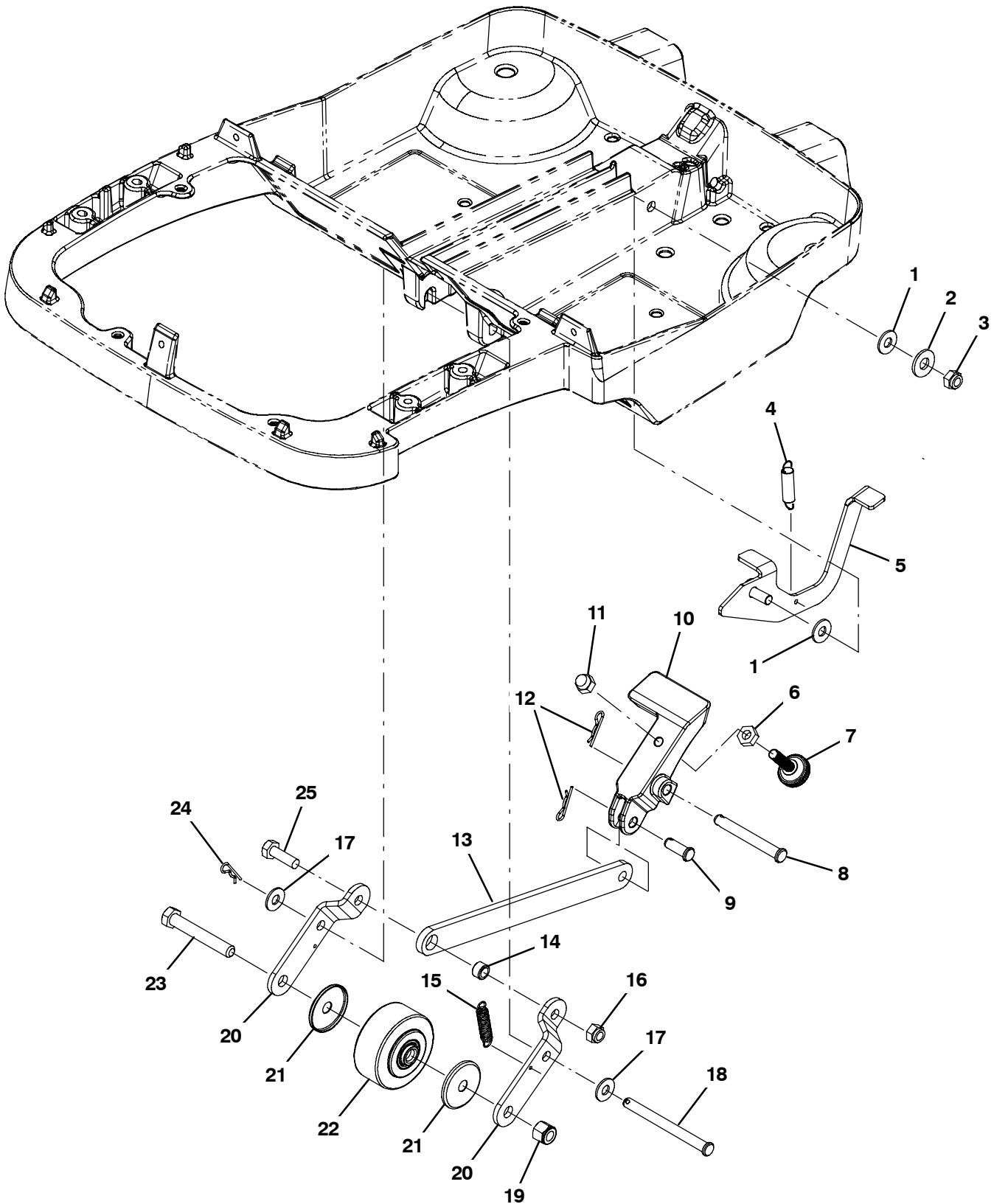
▽ ASSEMBLY

▲ INCLUDED IN ASSEMBLY

● RECOMMENDED STOCK ITEMS

SCRUB HEAD LIFT GROUP

355073





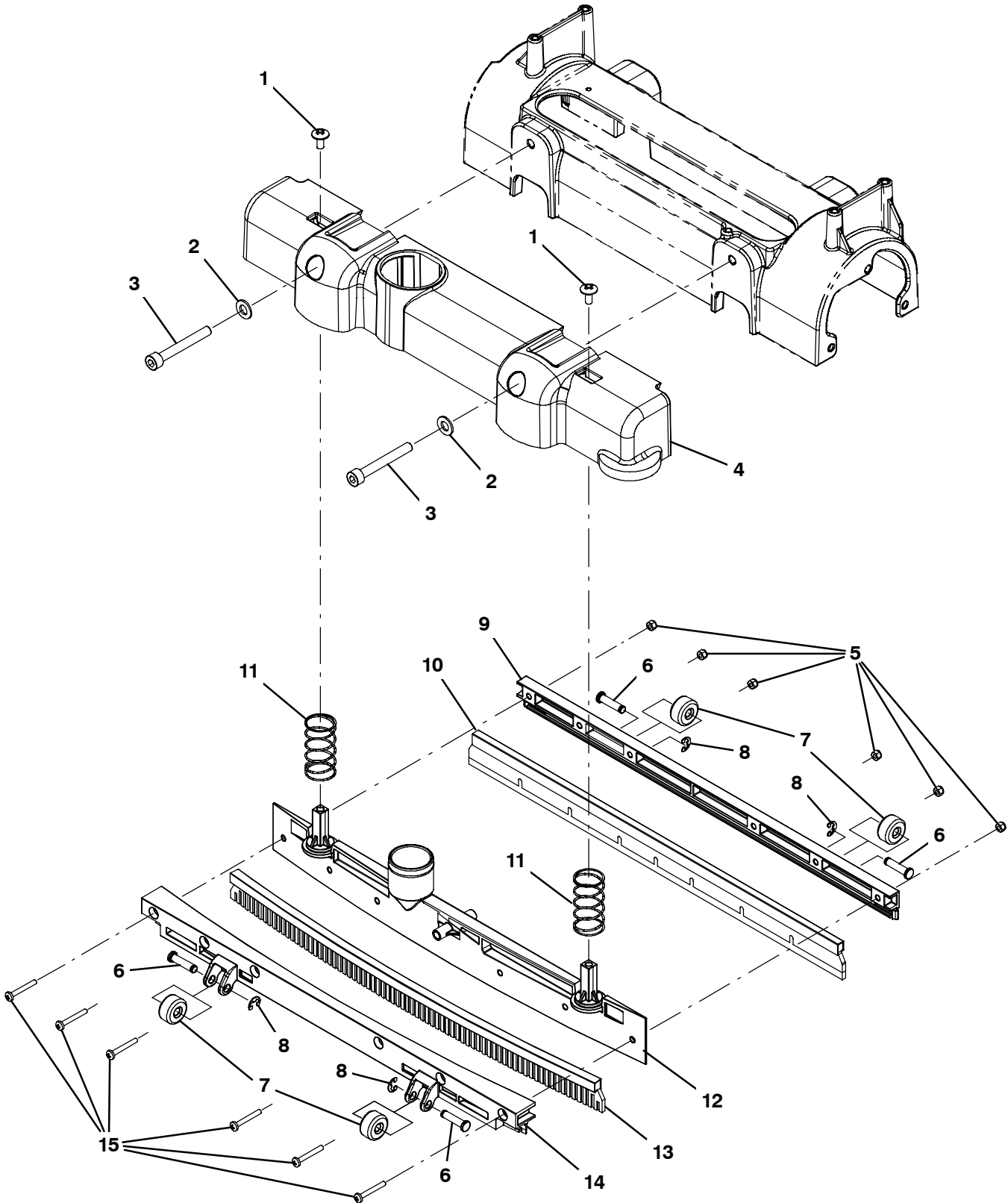
## SCRUB HEAD LIFT GROUP

Ref.	Part No.	Serial Number	Description	Qty.
1	630446	(10000000-20000000 )	Washer, Flat, 0.31b 0.75d .06, Nyl	2
2	01685	(10000000-20000000 )	Washer, Flat, 0.38b 0.88d .08, Ss	1
3	08713	(10000000-20000000 )	Nut, Hex, Lock, M8 X 1.25, NI, Ss	1
4	605812	(10000000-20000000 )	Spring, Extn	1
5	1034420	(10000000-20000000 )	Lever, Pedal, Wheel Release	1
6	140548	(10000000-20000000 )	Nut, Hex, Jam, Fin .31, Ss	1
7	240191	(10000000-20000000 )	● Knob Assy, Rnd, 1.00d .31-18 2.0l, Plstc	1
8	71274	(10000000-20000000 )	Pin, Clevis, 0.31d X 2.62l	1
9	363987	(10000000-20000000 )	Shaft	1
10	1034376	(10000000-20000000 )	Pedal, Foot	1
11	41128	(10000000-20000000 )	Nut, Low Crown, .31-18	1
12	08085	(10000000-20000000 )	Pin, Cotter, Hair, 0.31d .058 Wir	2
13	1034368	(10000000-20000000 )	Arm, Linkage, Transport	1
14	222516	(10000000-20000000 )	Sleeve, P/M, 0.31b 0.50d 0.3l [430ss]	1
15	140402	(10000000-20000000 )	Spring, Extn, 0.36od 0.04wir 01.8l, Mw	1
16	08713	(10000000-20000000 )	Nut, Hex, Lock, M8 X 1.25, NI, Ss	1
17	630446	(10000000-20000000 )	Washer, Flat, 0.31b 0.75d .06, Nyl	2
18	1034513	(10000000-20000000 )	Pin, Clevis, 0.31d X 3.50l	1
19	59156	(10000000-20000000 )	Nut, Hex, Lock, .38-16, NI, Ss	1
20	1034371	(10000000-20000000 )	Bracket, Transport, Wheel	1
21	1034351	(10000000-20000000 )	Guard, Thread, Wheel	2
22	1034355	(10000000-20000000 )	● Wheel, 02.5d 1.25w 0.38b, Rbr, Gray	1
23	27992	(10000000-20000000 )	Screw, Hex, .38-16 X 2.50, G5	1
24	08085	(10000000-20000000 )	Pin, Cotter, Hair, 0.31d .058 Wir	1
25	09010	(10000000-20000000 )	Screw, Hex, M8 X 1.25 X 25, Ss	1

● RECOMMENDED STOCK ITEMS

SQUEEGEE GROUP, FRONT

355076



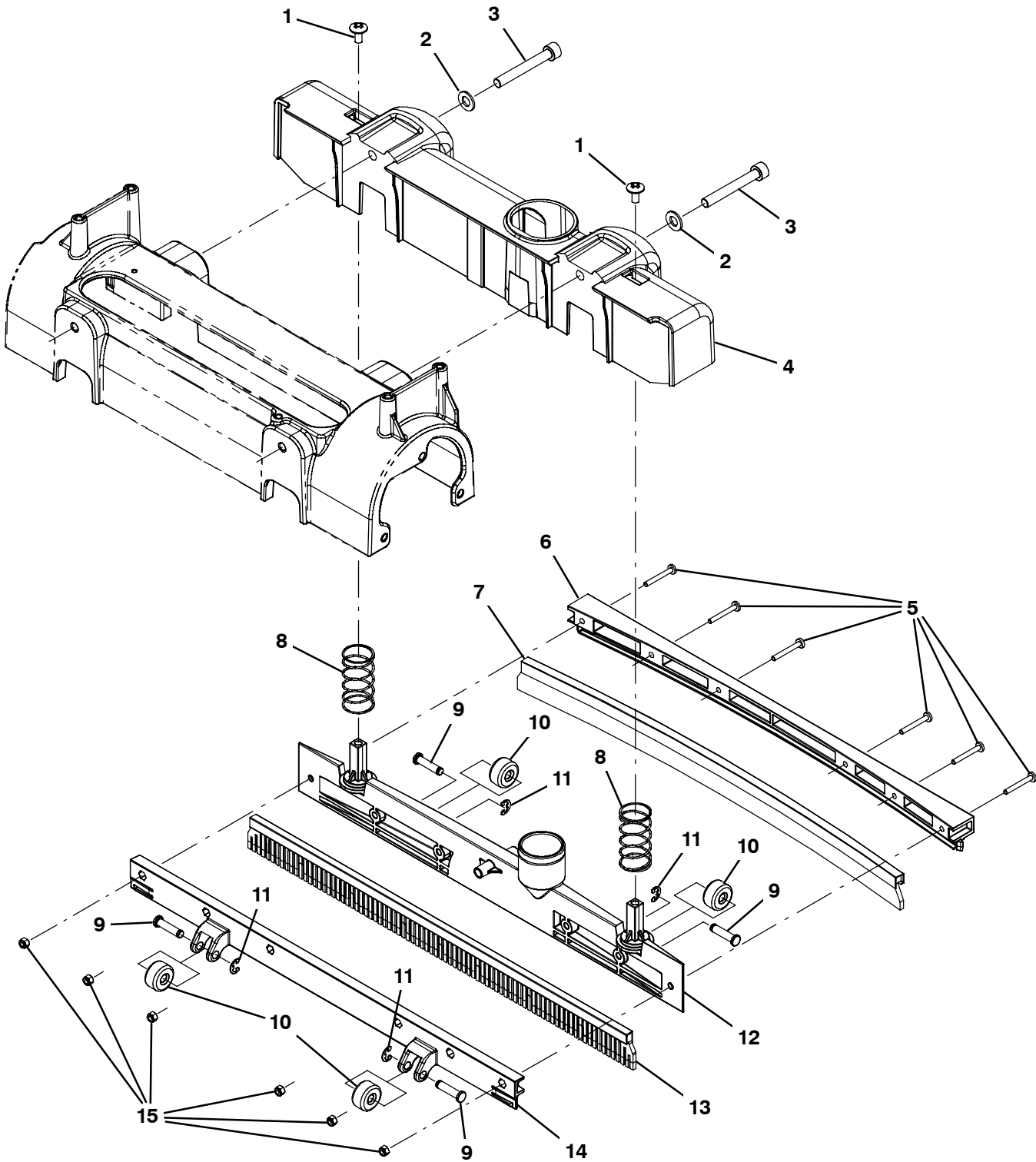
## SQUEEGEE GROUP, FRONT

Ref.	Part No.	Serial Number	Description	Qty.
1	140195	(10000000-20000000 )	Screw, Trs, .25-20 X 0.50, Phl, Ss, Sems	2
2	39349	(10000000-20000000 )	Washer, Flat, 0.31, Sae	2
3	09294	(10000000-20000000 )	Screw, Soc, M8 X 1.25 X 60, 12.9	2
4	1034109	(10000000-20000000 )	Housing, Squeegee	1
5	33932	(10000000-20000000 )	Nut, Hex, Lock, M4 X 0.70, NI, Ss	6
6	1030965	(10000000-20000000 )	Pin, Grv, 0.25	4
7	1030852	(10000000-20000000 )	● Roller, Squeegee	4
8	1035647	(10000000-20000000 )	Ring, Retaining, Ext, 0.25", [E-Ring]	4
9	1030452	(10000000-20000000 )	Retainer, Squeegee, Inner	1
10	1050940	(10000000-20000000 )	● Blade Assy, Sqge, Inner, Ure	1
11	1030427	(10000000-20000000 )	Spring, Cmpr, 0.92id 0.05wir 02.0l	2
12	1036676	(10000000-20000000 )	Frame, Squeegee	1
13	1050943	(10000000-20000000 )	● Blade Assy, Sqge, Outer, Ure	1
14	1036706	(10000000-20000000 )	Retainer, Squeegee, Outer	1
15	33931	(10000000-20000000 )	Screw, Pan, Phl, M4 X 0.70 X 30, Ss	6

● RECOMMENDED STOCK ITEMS

SQUEEGEE GROUP, REAR

355063



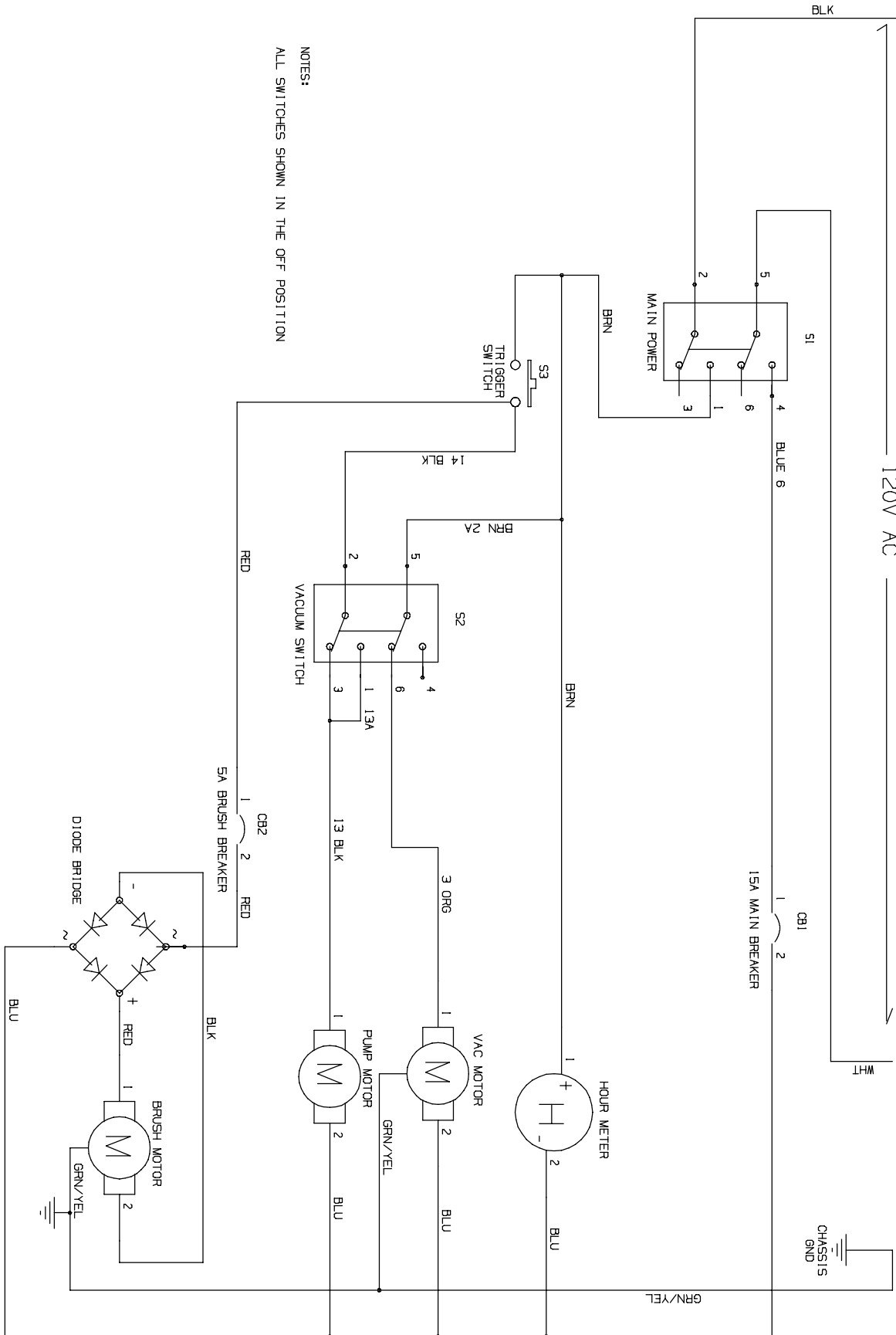
## SQUEEGEE GROUP, REAR

Ref.	Part No.	Serial Number	Description	Qty.
1	140195	(10000000-20000000 )	Screw, Trs, .25-20 X 0.50, Phl, Ss, Sems	2
2	39349	(10000000-20000000 )	Washer, Flat, 0.31, Sae	2
3	09294	(10000000-20000000 )	Screw, Soc, M8 X 1.25 X 60, 12.9	2
4	1034109	(10000000-20000000 )	Housing, Squeegee	1
5	33931	(10000000-20000000 )	Screw, Pan, Phl, M4 X 0.70 X 30, Ss	6
6	1030452	(10000000-20000000 )	Retainer, Squeegee, Inner	1
7	1050940	(10000000-20000000 )	● Blade Assy, Sqge, Inner, Ure	1
8	1035647	(10000000-20000000 )	Ring, Retaining, Ext, 0.25", [E-Ring]	2
9	1030965	(10000000-20000000 )	Pin, Grv, 0.25	4
10	1030852	(10000000-20000000 )	● Roller, Squeegee	4
11	1035647	(10000000-20000000 )	Ring, Retaining, Ext, 0.25", [E-Ring]	4
12	1036676	(10000000-20000000 )	Frame, Squeegee	1
13	1050943	(10000000-20000000 )	● Blade Assy, Sqge, Outer, Ure	1
14	1036706	(10000000-20000000 )	Retainer, Squeegee, Outer	1
15	33932	(10000000-20000000 )	Nut, Hex, Lock, M4 X 0.70, NI, Ss	6

● RECOMMENDED STOCK ITEMS

ELECTRICAL DIAGRAM, 120V

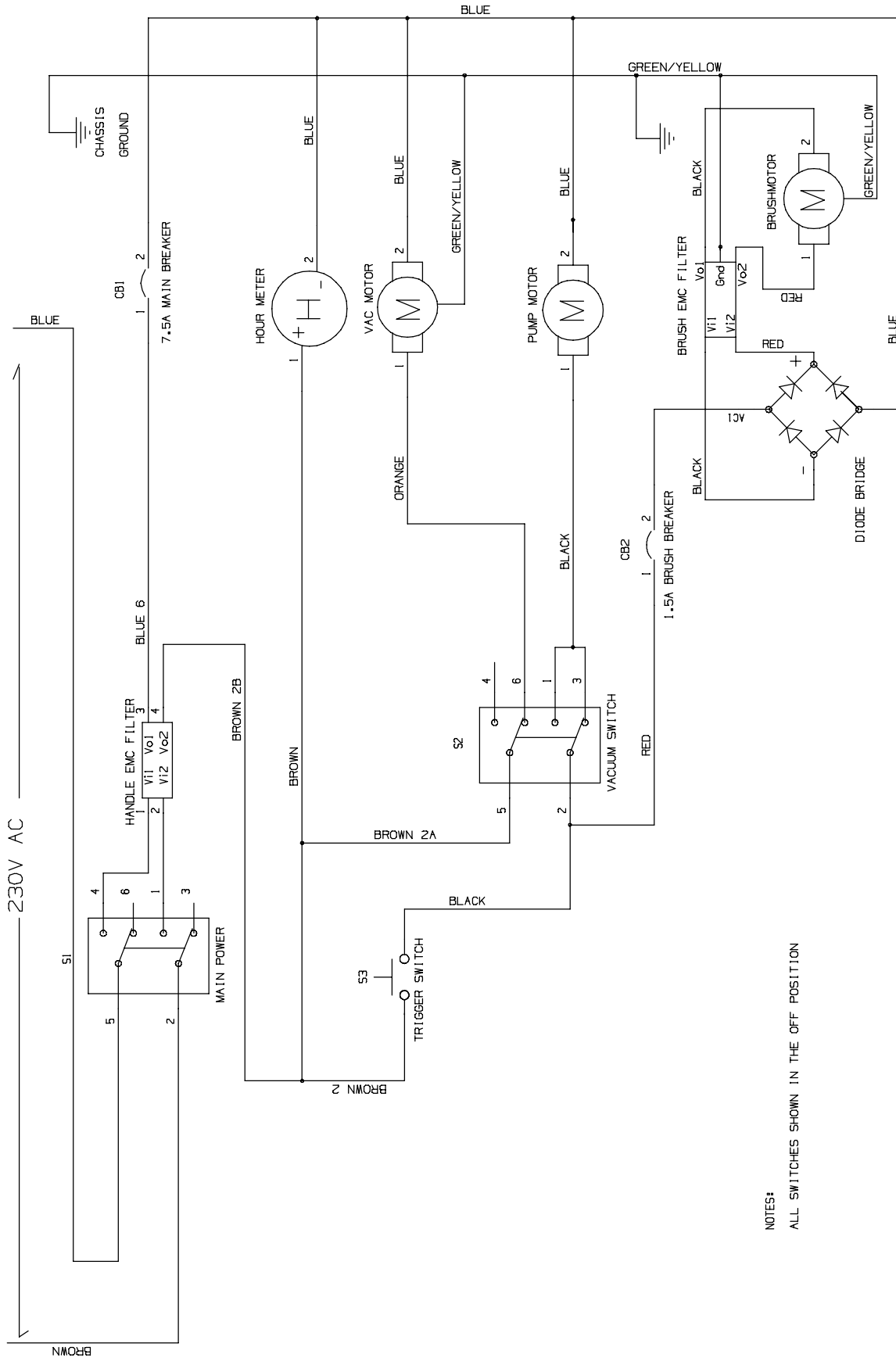
1046178



NOTES:  
ALL SWITCHES SHOWN IN THE OFF POSITION

ELECTRICAL DIAGRAM, 230V

1046179



NOTES:  
ALL SWITCHES SHOWN IN THE OFF POSITION